

# NAV-TV

INTERFACING THE FUTURE

3950 NW 120<sup>th</sup> Ave, Coral Springs, FL 33065 TEL 561-955-9770 FAX 561-955-9760

## MOST-H.U.R.

Porsche Head Unit Replacement Interface

*NTV-KIT155/210*



# MOST<sup>®</sup>



JR, BM  
10/18/18  
NTV-DOC137  
rB7

## Overview

The MOST-HUR (Head Unit Replacement) allows the user to install a feature-rich aftermarket radio while retaining the factory amplifier and converting audio signal to the factory fiber optic system. This is the fastest and easiest way to upgrade sound quality and features without performing “major surgery” to the vehicle. The HUR module also provides Vehicle Speed Sense (VSS out), 12v Reverse (out), hand/foot brake (out) and Illumination (out) for convenience.

## Kit Contents



MOST HUR Harness  
NTV-HAR095



MOST HUR Module  
NTV-ASY156



Fiber Optic extension  
cable/connector  
NTV-HAR067/NTV-CON002



USB Cable  
NTV-CAB009



Antenna Adapter  
NTV-CAB027

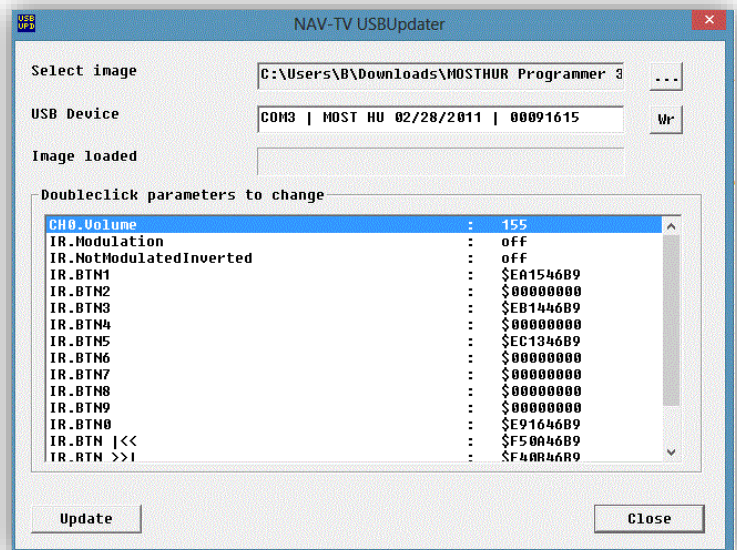
## Module Programming

To download radio specific files, go to [www.navtv.com](http://www.navtv.com) and *find the product page* (type the kit number in search bar, go to product page) and click on the ‘files’ button. These files are designed to make installation easier. If you do not see your radio listed, you can use a generic file to interface with the M.O.S.T. amplifier, but not retain steering wheel control.

**\*Note:** Only Alpine or Kenwood are officially supported for retaining steering wheel controls.

**\*Note 2:** When adjusting volume is needed (factory amplifier gain control), change in increments of 5.

**\*Note 3:** Fade control is not available due to factory system limitations.



## Module Pin outs



**Wire side**

Pin #	Description	Color	Connects to:
1	<b>12v Ignition/ACC</b>	Yellow	Vehicle Ignition
2	Left Front Audio IN	White RCA	Radio, Left Front RCA OUT
3	Rear Common Shield	Green/Purple RCA	Radio, Rear RCA Common
4	Left Rear Audio IN	Green RCA	Radio, Left Rear OUT
5	Remote IN	Yellow/Black	Radio, Remote OUT
6	Foot Brake OUT	Yellow/Blue	Radio, Foot Brake IN
7	Reverse Signal OUT	Purple/White	Radio, Reverse IN
8	Illumination OUT	Orange	Radio, Illumination Control
9	CAN HI	Brown/Red	Vehicle, Brown/Red (CAN)
10	Ground	Black	Vehicle, Brown (Ground)
11	Right Front Audio IN	Gray RCA	Radio, Right Front RCA
12	Front Common Shield	White/Gray RCA	Radio, Front RCA Common
13	Right Rear Audio IN	Purple RCA	Radio, Right Rear OUT
14	<b>*IR OUT (see diagram)</b>	White	Radio, IR Control
15	Parking Brake OUT	Green	Radio, Parking Brake IN
16	VSS OUT	Green/White	Radio, VSS IN
17	12 ACC OUT (1 amp)	Red	Radio 12v Switched
18	CAN LO	Brown	Vehicle, Brown (CAN)

Wires shaded in RED in this chart are NOT supported on 997 (sports cars) and ONLY supported for 955 (Cayenne)

## Installation

1. **Base-line the factory radio:**
  - a. Adjust the volume to a **comfortable listening** setting
  - b. Be certain the **MUTE** function is not enabled
  - c. Center the balance and fade, center the bass and treble
  - d. Be certain there are no other problems with the factory stereo system before installing this unit.
2. Remove the factory radio **and any other aftermarket MOST components (if existing) from vehicle – even if they are NAV-TV MOST components.**
3. Remove the fiber-optic cable from the factory connector, insert into the supplied fiber connector (if necessary) and plug into the supplied fiber-optic extension cable (Optional. If you have enough slack from the factory MOST fiber connector, skip using the extension).

Agreement: End user agrees to use this product in compliance with all State and Federal laws. NAV-TV Corp. would not be held liable for misuse of its product. If you do not agree, please discontinue use immediately and return product to place of purchase. This product is intended for off-road use and passenger entertainment only.

4. Connect the male end of the fiber-optic extension cable to the MOST HUR module.
5. Connect interface harness to proper wires using the wire chart provided on pages 3 & 5. **Note: not all connections are necessary for every install, some wires may be optional. Note 2: Reverse not supported on HUR-997 (sports car) KIT210.**
6. **Note:** the aftermarket radio's **constant power, ground, and power antenna** need to be connected to vehicles radio harness, the interface does not provide these connections.
7. **SOLDER ALL CONNECTIONS!**



#### Prequalification for MOST-HUR note

To verify the MOST components currently installed in this Porsche system, press and hold **MAIN & TRIP** on the OE PCM2 radio until the information menu appears. The amplifier should display with a number attached (not shown in picture)

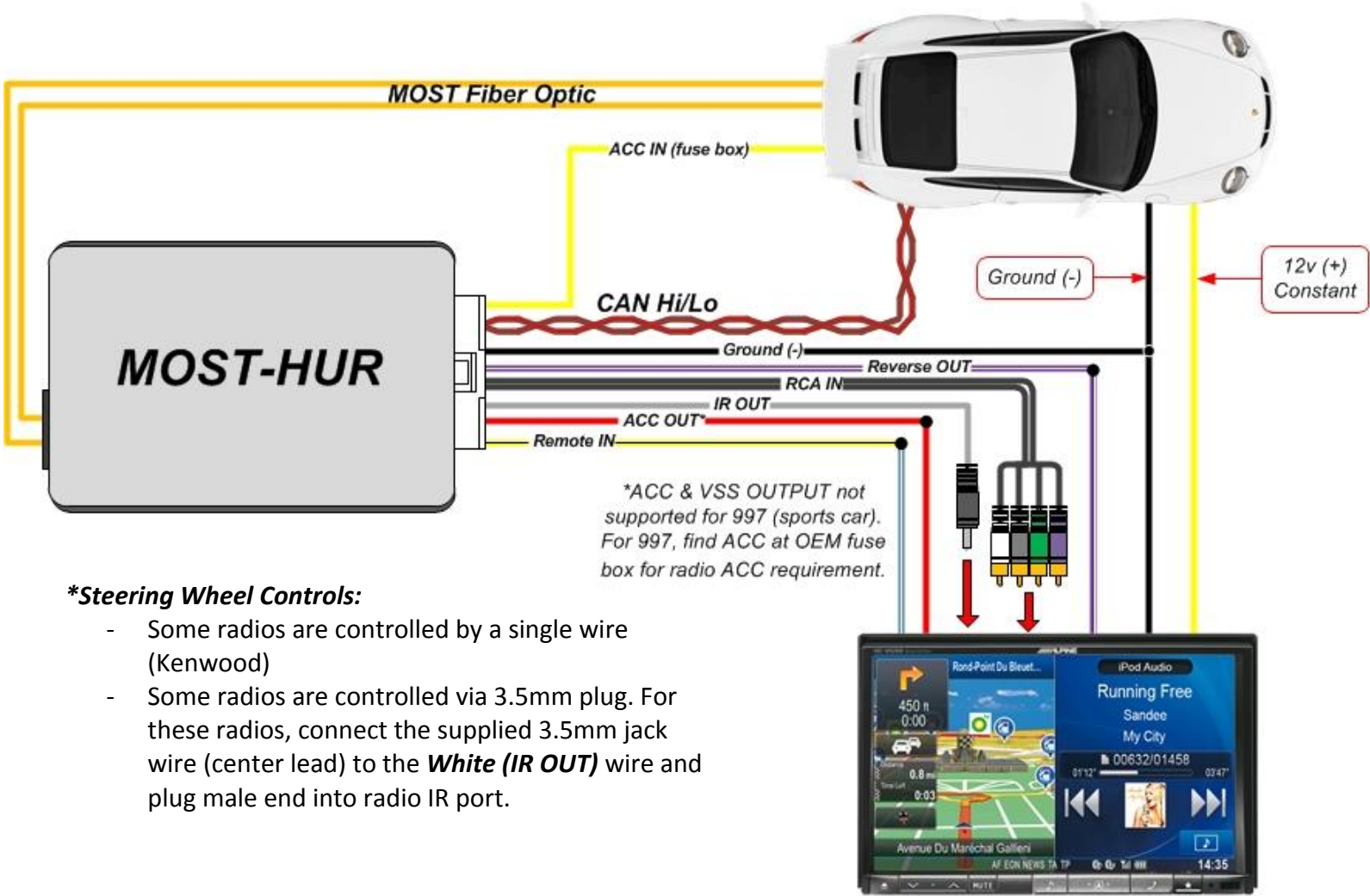


**NOTE:** If the PCM2 being replaced has straight vertical edges (instead of tapered), the MOST-HUR will NOT be compatible.

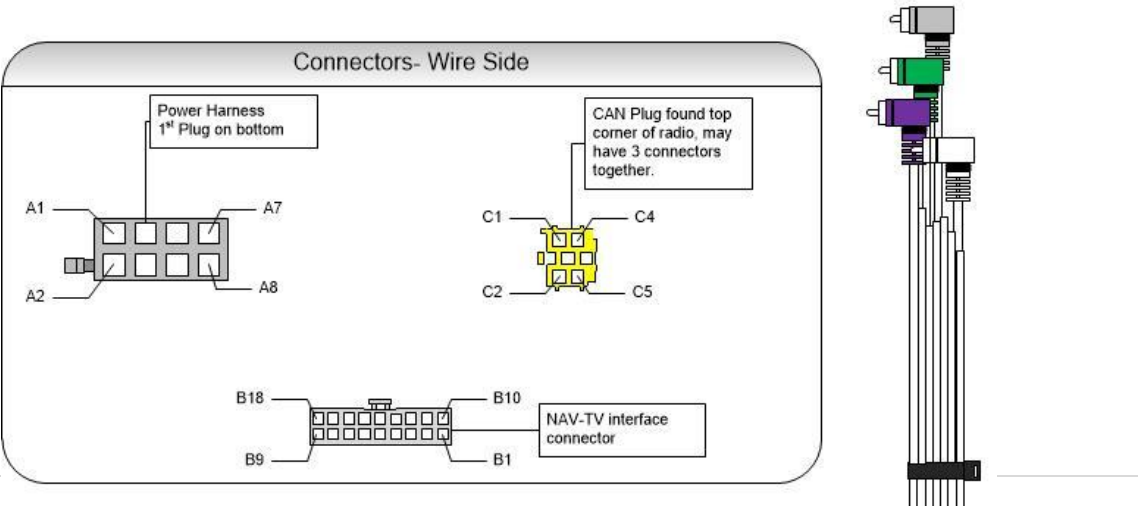
Agreement: End user agrees to use this product in compliance with all State and Federal laws. NAV-TV Corp. would not be held liable for misuse of its product. If you do not agree, please discontinue use immediately and return product to place of purchase. This product is intended for off-road use and passenger entertainment only.



Basic MOST-HUR connection diagram



DESCRIPTION  
 '04-'08 Porsche M.O.S.T. HUR pin location and description

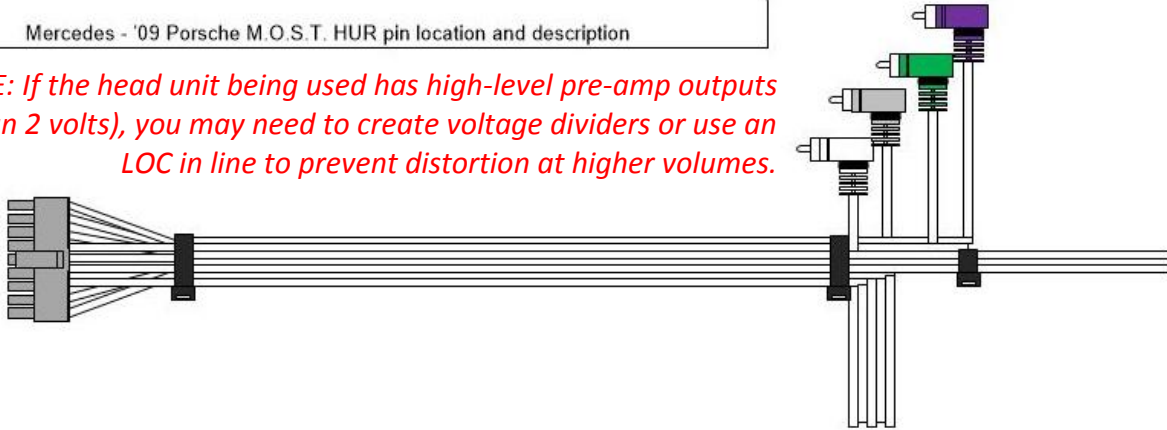


Agreement: End user agrees to use this product in compliance with all State and Federal laws. NAV-TV Corp. would not be held liable for misuse of its product. If you do not agree, please discontinue use immediately and return product to place of purchase. This product is intended for off-road use and passenger entertainment only.

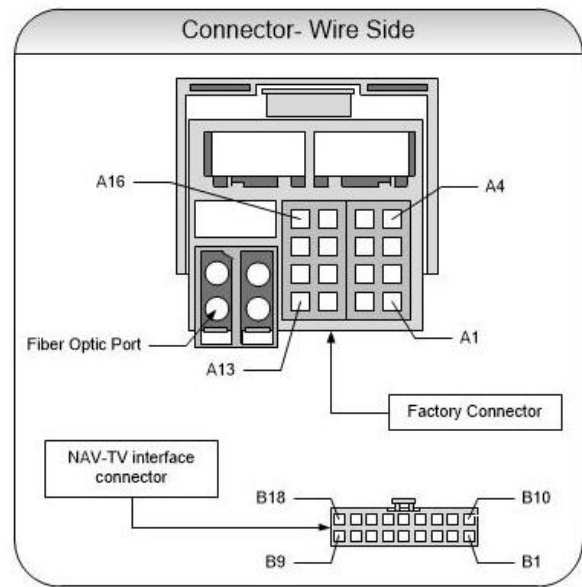
Connector		Description	HUR wire color	Vehicle wire color
B1	A4	<b>12v ACC/ignition</b>	Yellow	Not Available, connect at fuse box
B9	C1	CAN HI	Brown/Red	Orange/Purple or Yellow/Blue
B10	A8	Ground (-)	Black	Brown
B18	C8	CAN LO	Brown	Orange/Brown or Black/Blue

DESCRIPTION  
 Mercedes - '09 Porsche M.O.S.T. HUR pin location and description

*NOTE: If the head unit being used has high-level pre-amp outputs (greater than 2 volts), you may need to create voltage dividers or use an LOC in line to prevent distortion at higher volumes.*



Connector	Wire Color	Vehicle Color	Wire description
B1	A15	Yellow	+12V switched at the ignition. Relay required
B2		White RCA	Left Front RCA Audio IN
B3		Rear RCA	Rear RCA Shields
B4		Green RCA	Left Rear RCA Audio IN
B5		Yellow/Black	12v AMP Turn On from radio
B6		Yellow/Blue	12V OUT- Vehicle Foot Brake Signal
B7		Violet/White	12v Reverse OUT
B8		Orange	Illumination OUT
B9	A11	Brown/Red	Orange/Purple CAN HI
B10	A12	Black	Brown Ground- Shared Radio/Module
B11		Gray RCA	Right Front RCA Audio IN
B12		Front RCA	Front RCA Shields
B13		Violet RCA	Right Rear RCA Audio IN
B14		White	IR Control to radio- Steering Wheel
B15		Green	Parking Brake OUT
B16		Green/White	Vehicle Speed Sense (VSS) OUT
B17		Red	1A +12v Switched OUT
B18	A9	Brown	Orange/Brown CAN LO
	A14	White	Power Antenna IN- To Vehicle



# NAV-TV

INTERFACING THE FUTURE



Agreement: End user agrees to use this product in compliance with all State and Federal laws. NAV-TV Corp. would not be held liable for misuse of its product. If you do not agree, please discontinue use immediately and return product to place of purchase. This product is intended for off-road use and passenger entertainment only.